



## ***MH173 Specifications*** **High Sensitivity Built-in Pull High Res Hall Effect Latch**

MH173 Hall-effect sensor is a temperature stable, stress-resistant sensor. Superior high-temperature performance is made possible through a dynamic offset cancellation that utilizes chopper-stabilization. This method reduces the offset voltage normally caused by device over molding, temperature dependencies, and thermal stress.

MH173 includes the following on a single silicon chip: voltage regulator, Hall voltage generator, small-signal amplifier, chopper stabilization, Schmitt trigger, Pull-up resistor output. Advanced DMOS wafer fabrication processing is used to take advantage of low-voltage requirements, component matching, very low input-offset errors, and small component geometries.

This device requires the presence of both south and north polarity magnetic fields for operation. In the presence of a south polarity field of sufficient strength, the device output sensor on, and only switches off when a north polarity field of sufficient strength is present.

MH173 is rated for operation between the ambient temperatures  $-40^{\circ}\text{C}$  and  $85^{\circ}\text{C}$  for the E temperature range, and  $-40^{\circ}\text{C}$  to  $125^{\circ}\text{C}$  for the K temperature range. The package style available provide magnetically optimized solutions for most applications. Package SO is an SOT-23, a miniature low-profile surface-mount package.

Packages is Halogen Free standard and which have been verified by third party lab.

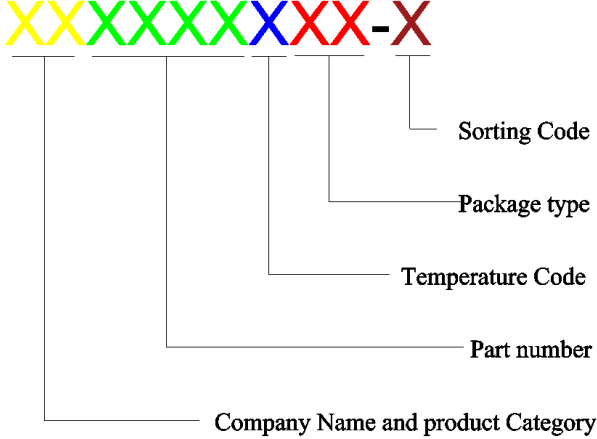
### ***Features and Benefits***

- DMOS Hall IC Technology
- Chopper stabilized amplifier stage.
- Optimized for BLDC motor applications.
- Reliable and low shifting on high Temp condition.
- Switching offset compensation at typically 69kHz
- Pull-up resistor output
- Good ESD Protection.
- 100% tested at  $125^{\circ}\text{C}$  for K.
- Custom sensitivity / Temperature selection are available.
- Reverse bias protection on power supply pin.
- RoHS compliant 2011/65/EU and Halogen Free

### ***Applications***

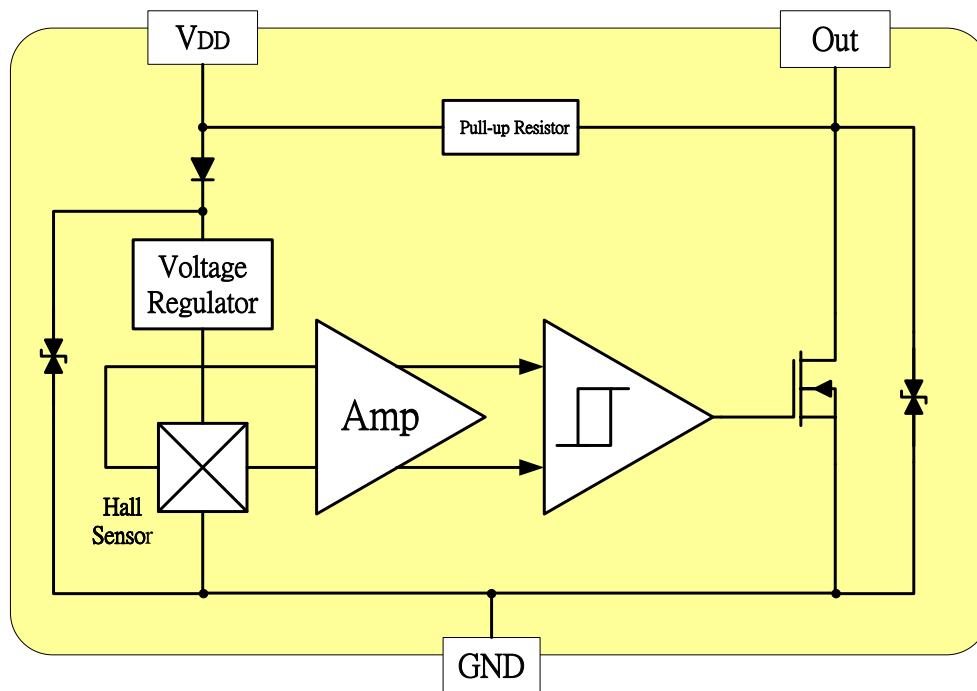
- High temperature Fan motor
- 3 phase BLDC motor application
- Speed sensing
- Position sensing
- Current sensing
- Revolution counting
- Solid-State Switch
- Linear Position Detection
- Angular Position Detection
- Proximity Detection
- High ESD Capability

### Ordering Information

	<p><b>Company Name and Product Category</b> MH:MST Hall Effect/MP:MST Power IC</p> <p><b>Part number</b> 181,182,183,184,185,248,249,276,477,381,381F,381R,382..... If part # is just 3 digits, the fourth digit will be omitted.</p> <p><b>Temperature range</b> E: 85 °C, I: 105 °C, K: 125 °C, L: 150 °C</p> <p><b>Package type</b> UA:TO-92S,VK:TO-92S(4pin),VF:TO-92S(5pin),SO:SOT-23, SQ:QFN-3,ST:TSOT-23,SN:SOT-553,SF:SOT-89(5pin), SS:TSOT-26,SD:DFN-6</p> <p><b>Sorting</b> <math>\alpha</math>, <math>\beta</math>, Blank.....</p>
---	---

Part No.	Temperature Suffix	Package Type
MH173KSO	K (-40°C to + 125°C)	SO (SOT-23)
MH173ESO	E (-40°C to + 85°C)	SO (SOT-23)

### Functional Diagram



#### Absolute Maximum Ratings At ( $T_a=25^\circ\text{C}$ )

Characteristics		Values	Unit
Supply voltage, ( $V_{DD}$ )		28	V
Output Voltage, ( $V_{out}$ )		28	V
Reverse Voltage, ( $V_{DD} / V_{out}$ )		-0.3	V
Output current, ( $I_{SINK}$ )		25	mA
Operating Temperature Range, ( $T_A$ )	“E” Class	-40 ~ +85	$^\circ\text{C}$
	“K” Class	-40 ~ +125	$^\circ\text{C}$
Storage temperature range, ( $T_S$ )		-65 to +150	$^\circ\text{C}$
Maximum Junction Temp, ( $T_J$ )		150	$^\circ\text{C}$
Thermal Resistance	( $\theta_{JA}$ ) SO	543	$^\circ\text{C}/\text{W}$
	( $\theta_{JC}$ ) SO	410	$^\circ\text{C}/\text{W}$
Package Power Dissipation, ( $P_D$ ) SO		230	mW

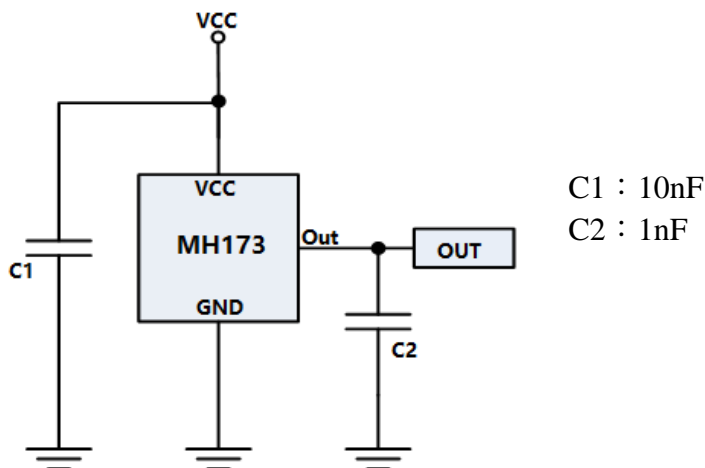
*Note:* Do not apply reverse voltage to  $V_{DD}$  and  $V_{OUT}$  Pin, It may be caused for Miss function or damaged device.

#### Electrical Specifications

DC Operating Parameters :  $T_A=+25^\circ\text{C}$ ,  $V_{DD}=12\text{V}$

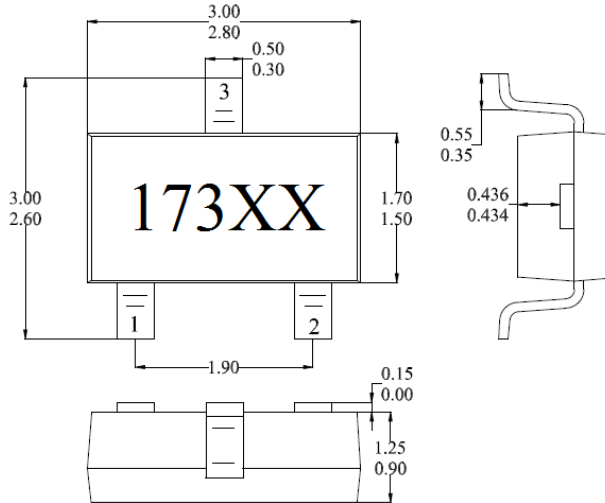
Parameters	Test Conditions	Min	Typ	Max	Units
Supply Voltage, ( $V_{DD}$ )	Operating	2.5		26	V
Supply Current, ( $I_{DD}$ )	$B < B_{OP}$		3.0	5.0	mA
Output Saturation Voltage, ( $V_{sat}$ )	$B > B_{OP}$			400.0	mV
Output Leakage Current, ( $I_{off}$ )	$I_{OFF}$ $B < B_{RP}$ , $V_{OUT} = 12\text{V}$			10.0	$\mu\text{A}$
Output Rise Time, ( $T_R$ )	$R_L=1.1\text{K}\Omega$ , $C_L=20\text{pF}$			0.45	$\mu\text{s}$
Output Fall Time, ( $T_F$ )	$R_L=820\Omega$ ; $C_L=20\text{pF}$			0.45	$\mu\text{s}$
Electro-Static Discharge	HMB	4			KV
Operate Point, ( $B_{OP}$ )	SO	5		60	GS
Release Point, ( $B_{RP}$ )	SO	-60		-5	GS
Hysteresis, ( $B_{HYS}$ )	$ B_{OP} - B_{RP} $		60		GS

#### Typical application circuit

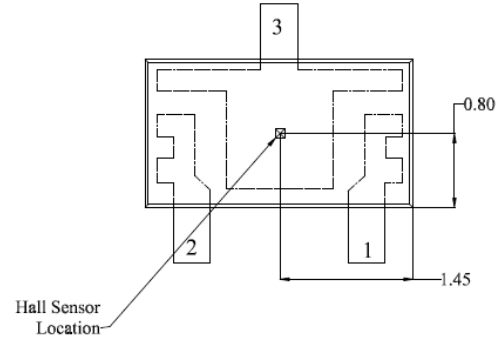


### Sensor Location, Package Dimension and Marking

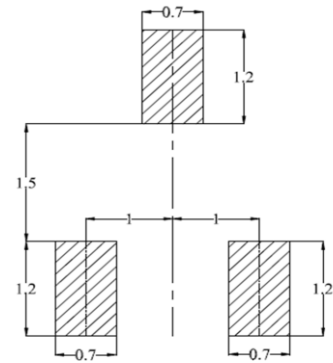
**SO Package  
(Top View)**



**Hall Plate Chip Location  
(Bottom view)**



**(For reference only) Land Pattern**



**NOTES:**

1. PINOUT (See Top View at left :)
  - Pin 1  $V_{DD}$
  - Pin 2 Output
  - Pin 3 GND
2. Controlling dimension: mm
3. Lead thickness after solder plating will be 0.254mm maximum