

MH180 Hall-effect sensor is a temperature stable, stress-resistant sensor. Superior high-temperature performance is made possible through a dynamic offset cancellation that utilizes chopper-stabilization. This method reduces the offset voltage normally caused by device over molding, temperature dependencies, and thermal stress.

MH180 includes the following on a single silicon chip: voltage regulator, Hall voltage generator, small-signal amplifier, chopper stabilization, Schmitt trigger, Pull-up resistor output. Advanced DMOS wafer fabrication processing is used to take advantage of low-voltage requirements, component matching, very low input-offset errors, and small component geometries.

This device requires the presence of both south and north polarity magnetic fields for operation. In the presence of a south polarity field of sufficient strength, the device output sensor on, and only switches off when a north polarity field of sufficient strength is present.

MH180 is rated for operation between the ambient temperatures -40°C and 85°C for the E temperature range, and -40°C to 125°C for the K temperature range. The two package styles available provide magnetically optimized solutions for most applications. Package SO is an SOT-23, a miniature low-profile surface-mount package ; Package SF is an SOT89-5L, a low-profile surface-mount package, while package UA is a three-lead ultra mini SIP for through-hole mounting.

Packages is Halogen Free standard and which have been verified by third party lab.


Features and Benefits

- DMOS Hall IC Technology.
- Reverse bias protection on power supply pin.
- Chopper stabilized amplifier stage.
- Optimized for BLDC motor applications.
- Reliable and low shifting on high Temp condition.
- Switching offset compensation at typically 69 kHz.
- Good ESD Protection.
- 100% tested at 125°C for K.
- Custom sensitivity / Temperature selection are available.
- RoHS compliant 2011/65/EU and Halogen Free

Applications

- High temperature Fan motor
- 3 phase BLDC motor application
- Speed sensing
- Position sensing
- Current sensing
- Revolution counting
- Solid-State Switch
- Linear Position Detection
- Angular Position Detection
- Proximity Detection
- High ESD Capability

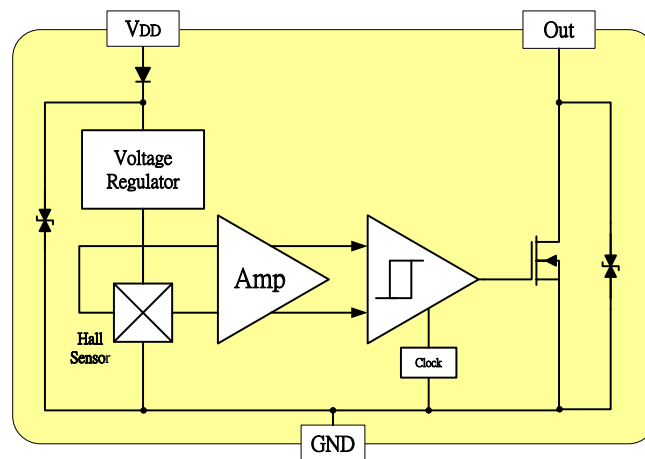
Ordering Information

	<p>Company Name and Product Category</p> <p>MH:MST Hall Effect/MP:MST Power IC</p> <p>Part number</p> <p>181,182,183,184,185,248,249,276,477,381,381F,381R,382.....</p> <p>If part # is just 3 digits, the forth digit will be omitted.</p> <p>Temperature range</p> <p>E: 85 °C, I: 105 °C, K: 125 °C, L: 150 °C</p> <p>Package type</p> <p>UA:TO-92S,VK:TO-92S(4pin),VF:TO-92S(5pin),SO:SOT-23, SQ:QFN-3,ST:TSOT-23,SN:SOT-553,SF:SOT-89(5pin), SS:TSOT-26,SD:DFN-6</p> <p>Sorting</p> <p>α, β, Blank.....</p>
<p>Sorting Code</p> <p>Package type</p> <p>Temperature Code</p> <p>Part number</p> <p>Company Name and product Category</p>	

Part No.	Temperature Suffix	Package Type
MH180KUA	K (-40°C to + 125°C)	UA (TO-92S)
MH180KSO	K (-40°C to + 125°C)	SO (SOT-23)
MH180EUA	E (-40°C to + 85°C)	UA (TO-92S)
MH180ESO	E (-40°C to + 85°C)	SO (SOT-23)
MH180KSF	E (-40°C to + 125°C)	SF (5-pin SOT-89)

KUA spec is using in industrial and automotive application. Special Hot Testing is utilized.

Functional Diagram



Absolute Maximum Ratings At ($T_a=25^{\circ}\text{C}$)

Characteristics		Values	Unit
Supply voltage, (V_{DD})		28	V
Output Voltage, (V_{out})		28	V
Reverse voltage, (V_{DD})		-28	V
Magnetic flux density		Unlimited	Gauss
Output current, (I_{SINK})		50	mA
Operating Temperature Range, (T_a)	“E” version	-40 to +85	$^{\circ}\text{C}$
	“K” version	-40 to +125	$^{\circ}\text{C}$
Storage temperature range, (T_s)		-65 to +150	$^{\circ}\text{C}$
Maximum Junction Temp, (T_j)		150	$^{\circ}\text{C}$
Thermal Resistance	(θ_{ja}) UA / SO/ SF	206 / 543/ 156	$^{\circ}\text{C}/\text{W}$
	(θ_{jc}) UA / SO/ SF	148 / 410/ 34	$^{\circ}\text{C}/\text{W}$
Package Power Dissipation, (P_D) UA / SO/ SF		606 / 230 / 800	mW

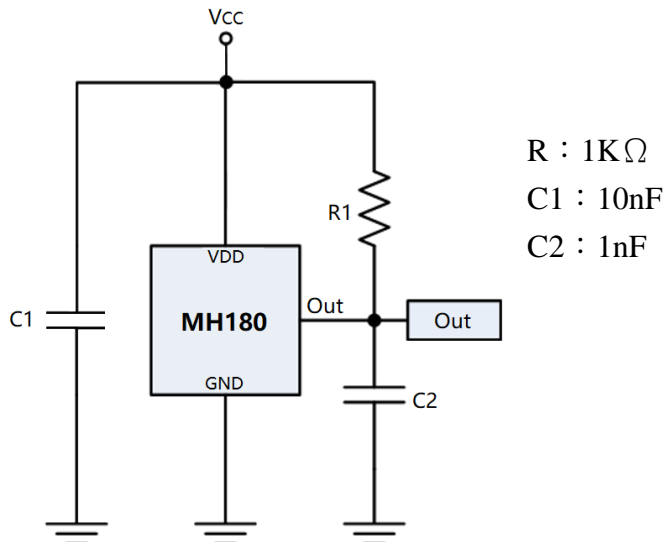
Note: Do not apply reverse voltage to V_{DD} and V_{OUT} Pin, It may be caused for Miss function or damaged device.

Electrical Specifications

DC Operating Parameters: $T_A=+25^{\circ}\text{C}$, $V_{DD}=12\text{V}$

Parameters	Test Conditions	Min	Typ	Max	Units
Supply Voltage, (V_{DD})	Operating	2.5		24.0	V
Supply Current, (I_{DD})	$B < B_{OP}$			5.0	mA
Output Saturation Voltage, (V_{sat})	$I_{OUT} = 20 \text{ mA}$, $B > B_{OP}$			400.0	mV
Output Leakage Current, (I_{off})	$I_{OFF} B < BRP$, $V_{OUT} = 12\text{V}$			10.0	μA
Internal Oscillator Chopper Frequency, (f_{osc})			69		kHz
Output Rise Time, (T_R)	$R_L=1.1\text{K}\Omega$, $C_L=20\text{pF}$		0.04	0.45	μs
Output Fall Time, (T_F)	$R_L=820\Omega$; $C_L=20\text{pF}$		0.18	0.45	μs
Electro-Static Discharge	HMB	4			KV
Operate Point, (B_{OP})	UA, SF, SO	10	50	90	Gauss
Release Point, (B_{RP})	UA, SF, SO	90	-50	-10	Gauss
Hysteresis, (B_{HYS})			100		Gauss

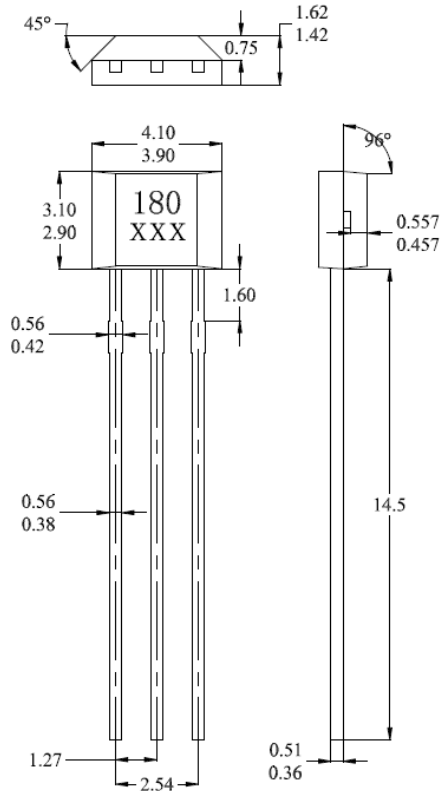
Typical application circuit



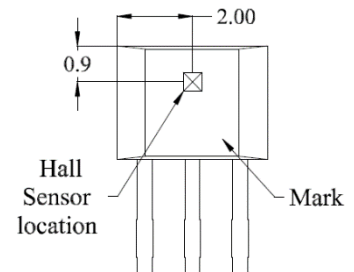
Sensor Location, Package Dimension and Marking

MH180 Package

UA Package



Hall Chip location

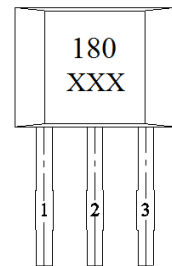


NOTES:

- 1).Controlling dimension: mm
- 2).Leads must be free of flash and plating voids
- 3).Do not bend leads within 1 mm of lead to package interface.
- 4).PINOUT:

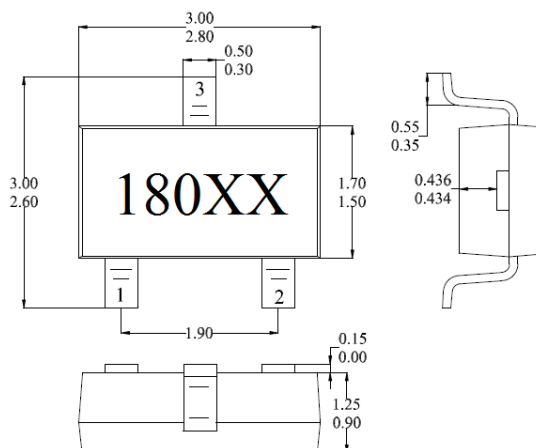
Pin 1	V _{DD}
Pin 2	GND
Pin 3	Output

Output Pin Assignment (Top view)



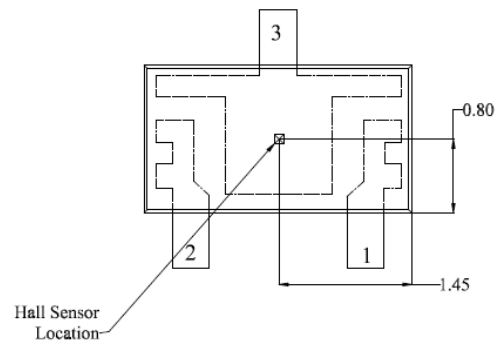
SO Package

(Top View)

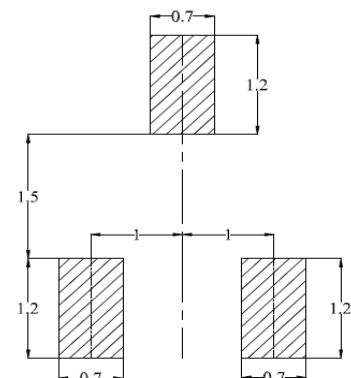


Hall Plate Chip Location

(Bottom view)



(For reference only) Land Pattern

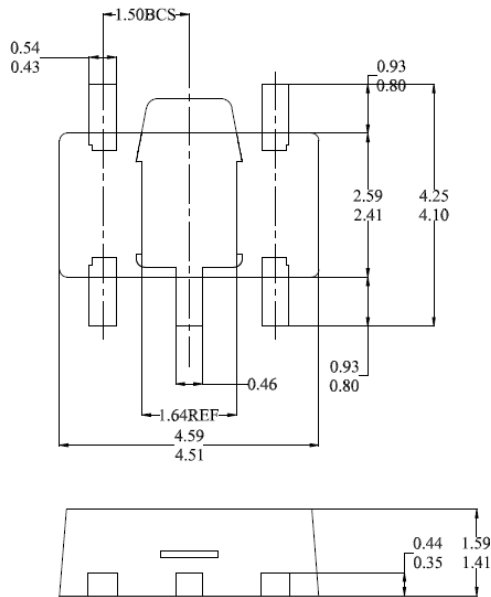


NOTES:

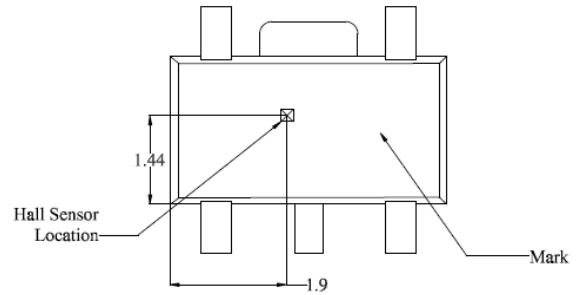
1. PINOUT (See Top View at left :)
 - Pin 1 V_{DD}
 - Pin 2 Output
 - Pin 3 GND
2. Controlling dimension: mm
3. Lead thickness after solder plating will be 0.254mm maximum

SF Package (SOT-89 5 pins)

(Bottom view)

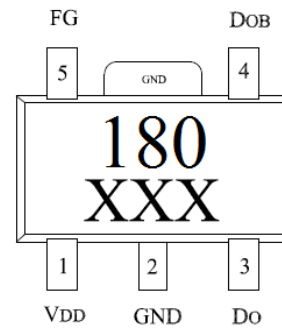


Hall Chip location



Output Pin Assignment

(Top view)



NOTES:

- 1).Controlling dimension: mm
- 2).Leads must be free of flash and plating voids
- 3).Do not bend leads within 1 mm of lead to package interface.
- 4).PINOUT:

Pin 1	V _{DD}
Pin 2	GND
Pin 3	Out
Pin 4	N/A
Pin 5	N/A