



## *MH 272 Specifications*

### **High Voltage Omni polar Hall Effect Switch**

---

MH272 Hall effect switch is a temperature stable, Superior high-temperature performance is made possible through a dynamic offset cancellation that utilizes chopper-stabilization.

MH272 includes the following on a single silicon chip: voltage regulator, Hall voltage generator, small-signal amplifier, chopper stabilization, Schmitt trigger, and open drain output. Advanced DMOS wafer fabrication processing is used to take advantage of low-voltage requirements, component matching, very low input-offset errors, and small component geometries.

This device requires the presence of omni-polar magnetic fields for operation.

MH272 is rated for operation between the ambient temperatures  $-40^{\circ}\text{C}$  and  $+85^{\circ}\text{C}$  for the E temperature range. and  $-40^{\circ}\text{C}$  to  $125^{\circ}\text{C}$  for the K temperature range. The two package styles available provide magnetically optimized solutions for most applications. Package types SO is an SOT-23, a miniature low-profile surface-mount package, while package UA is a three-lead ultra-mini SIP for through-hole mounting.

The package type is in a Halogen Free version was verified by third party Lab.

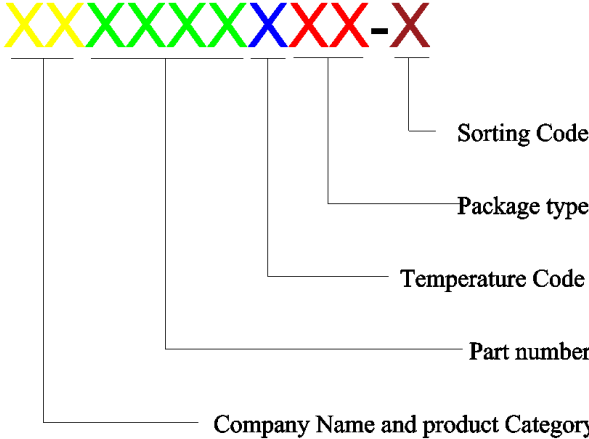
#### ***Features and Benefits***

- DMOS Hall IC Technology.
- Operation range from 2.5V to 26V .
- Omni polar, output switches with absolute value of North or South pole from magnet.
- Reverse bias protection on power supply pin.
- High Sensitivity for reed switch replacement applications.
- Low sensitivity drift in crossing of Temp range.
- High ESD Protection, HBM $>\pm 4\text{KV}(\text{min})$
- Output Current limit in 100mA.
- RoHS compliant 2011/65/EU and Halogen Free

#### ***Applications***

- Solid state switch.
- Limit switch.
- Current limit.
- Interrupter.
- Magnet proximity sensor for reed switch replacement.

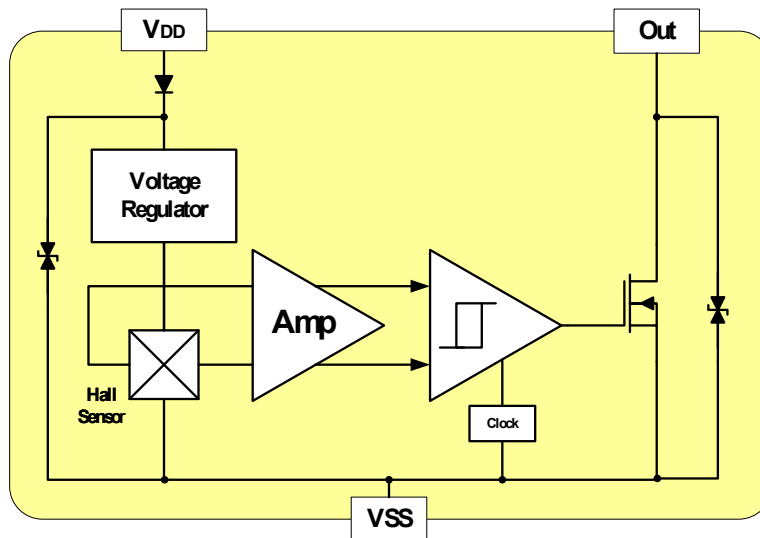
### Ordering Information

 <p style="text-align: center;"><b>XXX-XX-X</b></p> <p style="text-align: center;"> <span style="margin-right: 100px;">Company Name and product Category</span> <span style="margin-right: 50px;">Temperature Code</span> <span>Sorting Code</span> </p>	<p><b>Company Name and Product Category</b></p> <p>MH:MST Hall Effect/MP:MST Power MOSFET</p> <p><b>Part number</b></p> <p>181,182,183,184,185,248,249,276,477,381,381F,381R,382.....</p> <p>If part # is just 3 digits, the forth digit will be omitted.</p> <p><b>Temperature range</b></p> <p>E: 85 °C, I: 105 °C, K: 125 °C, L: 150 °C</p> <p><b>Package type</b></p> <p>UA:TO-92S,VK:TO-92S(4pin),VF:TO-92S(5pin),SO:SOT-23, SQ:QFN-3,ST:TSOT-23,SN:SOT-553,SF:SOT-89(5pin)</p> <p><b>Sorting</b></p> <p><math>\alpha</math>,<math>\beta</math>,Blank.....</p>
---	---

Part No.	Temperature Suffix	Package Type
MH272KUA	K (-40°C to + 125°C)	UA (TO-92S)
MH272EUA	E (-40°C to + 85°C)	UA (TO-92S)
MH272KSO	K (-40°C to + 125°C)	SO (SOT-23)
MH272ESO	E (-40°C to + 85°C)	SO (SOT-23)

*KUA spec is using in industrial and automotive application. Special Hot Testing is utilized.*

### Functional Diagram



### Absolute Maximum Ratings At ( $T_a=25^{\circ}\text{C}$ )

Characteristics		Values	Unit
Supply voltage, ( $V_{DD}$ )		28	V
Output Voltage, ( $V_{out}$ )		28	V
Reverse Voltage, ( $V_{DD} / V_{out}$ )		-28/-0.3	V
Output current, ( $I_{SINK}$ )		25	mA
Operating Temperature Range, ( $T_A$ )	“E” Class	-40 ~ +85	$^{\circ}\text{C}$
	“K” Class	-40 ~ +125	$^{\circ}\text{C}$
Storage temperature Range, ( $T_S$ )		-55 ~ +150	$^{\circ}\text{C}$
Maximum Junction Temp, ( $T_J$ )		150	$^{\circ}\text{C}$
Thermal Resistance	( $\theta_{JA}$ ) UA/ SO	206 / 543	$^{\circ}\text{C}/\text{w}$
	( $\theta_{JC}$ ) UA/ SO	148 / 410	$^{\circ}\text{C}/\text{w}$
Package Power Dissipation, ( $P_D$ )		606 / 230	mW

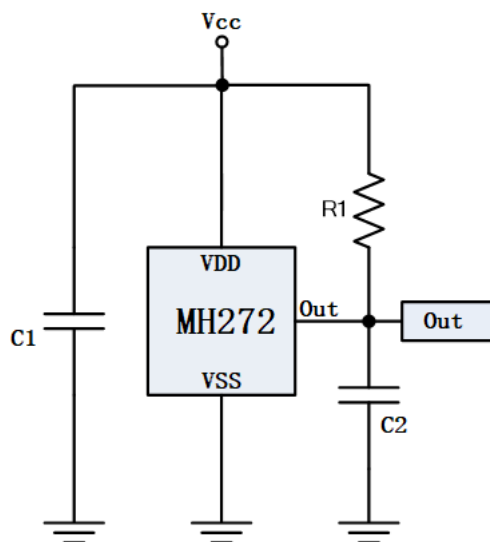
Note: Do not apply reverse voltage to  $V_{DD}$  and  $V_{OUT}$  Pin, It may be caused for Miss function or damaged device.

### Electrical Specifications

DC Operating Parameters :  $T_A=+25^{\circ}\text{C}$ ,  $V_{DD}=12\text{V}$

Parameters	Test Conditions	Min	Typ	Max	Units
Supply Voltage, ( $V_{DD}$ )	Operating	2.5		26.0	V
Supply Current, ( $I_{DD}$ )	$B < B_{OP}$		2.5	3.5	mA
Output Saturation Voltage, ( $V_{DSON}$ )	$I_{out}=20\text{mA}, B > B_{OP}$		300	500	mV
Output Leakage Current, ( $I_{off}$ )	$I_{OFF} B < B_{RP}, V_{OUT} = 12\text{V}$			10.0	$\mu\text{A}$
Output Limited Current, ( $I_{CO}$ )	$B > B_{OP}$		100		mA
Power-On Time, ( $T_P$ )				100	$\mu\text{S}$
Output Switch Time, ( $T_{SW}$ )				100	$\mu\text{S}$
Output Switch Frequency, ( $F_{SW}$ )		5			kHz
Output Rise Time, ( $T_R$ )	$R_L=1\text{K}\Omega, C_L=20\text{pF}$		0.1	0.45	$\mu\text{S}$
Output Fall Time, ( $T_F$ )	$R_L=1\text{k}\Omega; C_L=20\text{pF}$		6.0	10	$\mu\text{S}$
Electro-Static Discharge	HBM	4			KV
Operate Point, $B_{OP}$	$B >  B_{OPX} , V_{OUT} \text{ On}$	20(-40)	30(-30)	40(-20)	Gauss
Release Point, $B_{RP}$	$B <  B_{RPX} , V_{OUT} \text{ Off}$	11(-36)	20(-20)	36(-11)	Gauss
Hysteresis, ( $B_{HYS}$ )	$ B_{OP} - B_{RP} $		10		Gauss

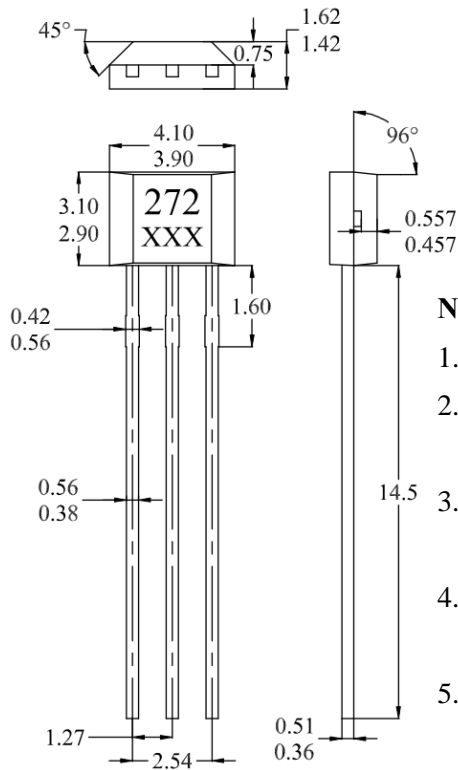
### Typical application circuit



C1 : 10nF  
C2 : 1nF  
R1 : 1K $\Omega$

### Sensor Location, Package Dimension and Marking

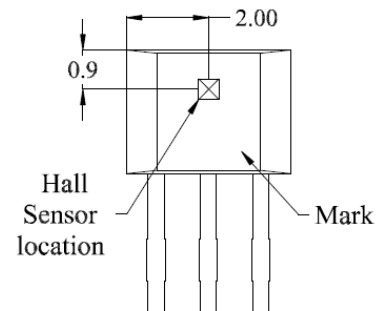
#### UA Package



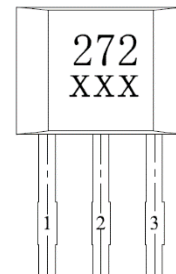
**NOTES:**

1. Controlling dimension: mm
2. Leads must be free of flash and plating voids
3. Do not bend leads within 1 mm of lead to package interface.
4. PINOUT:  
Pin 1 V<sub>DD</sub>; Pin 2 GND; Pin 3 Output
5. XXX; 1<sup>st</sup> X=Year; 2<sup>nd</sup> and 3<sup>rd</sup> XX=Week

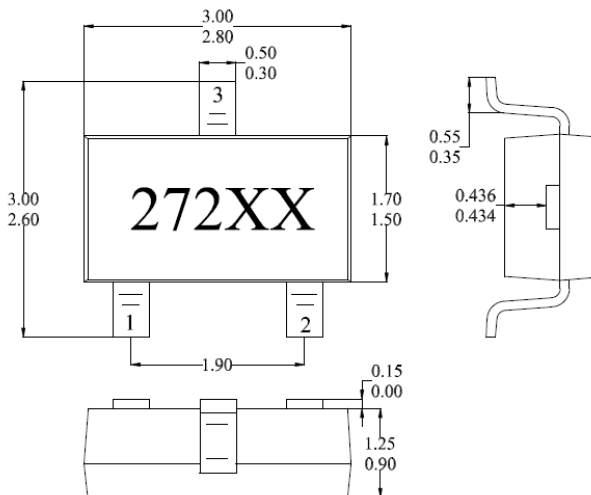
#### Hall Chip location



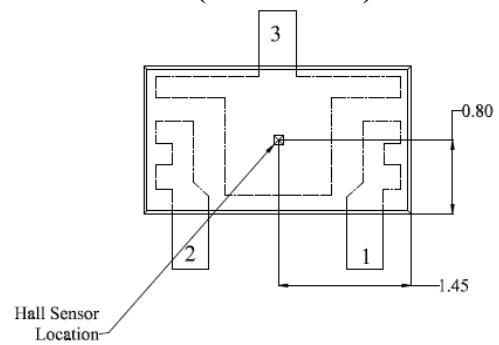
#### Output Pin Assignment (Top view)



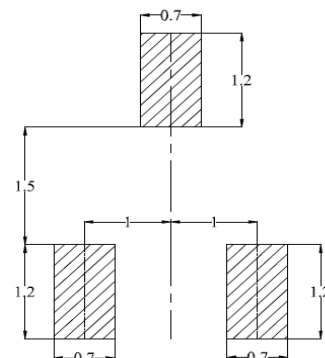
#### Package (SOT-23) (Top View)



#### Hall Plate Chip Location (Bottom view)



#### (For reference only) Land Pattern



**NOTES:**

1. PINOUT (See Top View at left :)  
Pin 1 V<sub>DD</sub>; Pin 2 Output; Pin 3 GND
2. Controlling dimension: mm
3. Lead thickness after solder plating will be 0.254mm maximum
4. XX: Date Code, Refer to DC table