

MH273 Hall effect switch is a temperature stable, Superior high-temperature performance is made possible through a dynamic offset cancellation that utilizes chopper-stabilization.

MH273 includes the following on a single silicon chip: voltage regulator, Hall voltage generator, small-signal amplifier, chopper stabilization, Schmitt trigger, and built-in pull high resistance output. Advanced DMOS wafer fabrication processing is used to take advantage of low-voltage requirements, component matching, very low input-offset errors, and small component geometries.

This device requires the presence of omni-polar magnetic fields for operation.

MH271 is rated for operation between the ambient temperatures -40°C and $+85^{\circ}\text{C}$ for the E temperature range. and -40°C to 125°C for the K temperature range. The two package styles available provide magnetically optimized solutions for most applications. Package types SO is an SOT-23, a miniature low-profile surface-mount package, while package UA is a three-lead ultra-mini SIP for through-hole mounting.

The package type is in a Halogen Free version was verified by third party Lab.

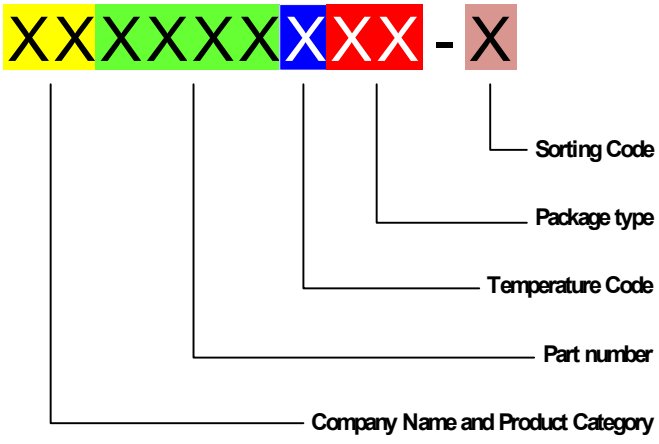
Features and Benefits

- DMOS Hall IC Technology.
- Operation range from 2.5V to 26V .
- Omni polar, output switches with absolute value of North or South pole from magnet.
- Reverse bias protection on power supply pin.
- High Sensitivity for reed switch replacement applications.
- Low sensitivity drift in crossing of Temp range.
- High ESD Protection, HBM $>\pm 4\text{KV}(\text{min})$

Applications

- Solid state switch.
- Limit switch.
- Magnet proximity sensor
- Position sensor
- Speed sensor
- Rotation sensor
- Counting sensor

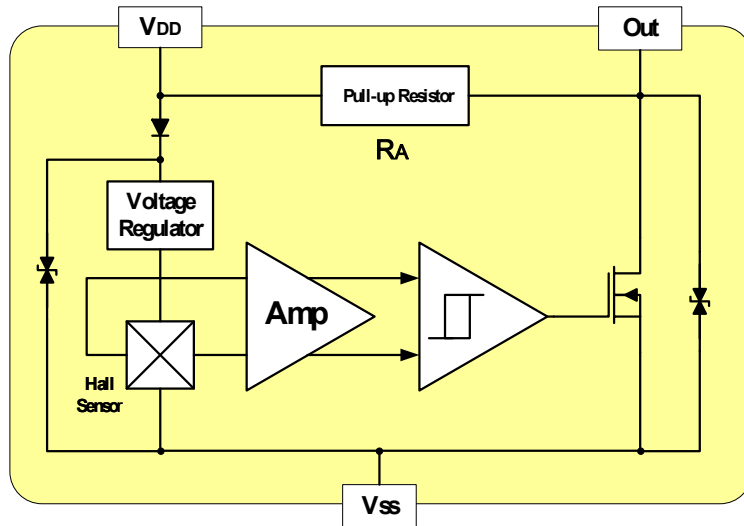
Ordering Information

	<p>Company Name and Product Category MH:MST Hall Effect/MP:MST Power MOSFET</p> <p>Part number 181,182,183,184,185,248,249,276,477,381,381F,381R,382..... If part # is just 3 digits, the fourth digit will be omitted.</p> <p>Temperature range E: 85 °C, I: 105 °C, K: 125 °C, L: 150 °C</p> <p>Package type UA:TO-92S,VK:TO-92S(4pin),VF:TO-92S(5pin),SO:SOT-23, SQ:QFN-3,ST:TSOT-23,SN:SOT-553,SF:SOT-89(5pin)</p> <p>Sorting α,β,Blank.....</p>
---	--

Part No.	Temperature Suffix	Package Type
MH273KUA	K (-40°C to + 125°C)	UA (TO-92S)
MH273EUA	E (-40°C to + 85°C)	UA (TO-92S)
MH273KSO	K (-40°C to + 125°C)	SO (SOT-23)
MH273ESO	E (-40°C to + 85°C)	SO (SOT-23)

KUA spec is using in industrial and automotive application. Special Hot Testing is utilized.

Functional Diagram



Absolute Maximum Ratings At ($T_a=25^{\circ}\text{C}$)

Characteristics		Values	Unit
Supply voltage, (V_{DD})		28	V
Output Voltage, (V_{out})		28	V
Reverse Voltage, (V_{DD} / V_{out})		-28/-0.3	V
Output current, (I_{SINK})		25	mA
Operating Temperature Range, (T_A)	“E” Class	-40 ~ +85	$^{\circ}\text{C}$
	“K” Class	-40 ~ +125	$^{\circ}\text{C}$
Storage temperature Range, (T_S)		-55 ~ +150	$^{\circ}\text{C}$
Maximum Junction Temp, (T_J)		150	$^{\circ}\text{C}$
Thermal Resistance	(θ_{JA}) UA/ SO	206 / 543	$^{\circ}\text{C}/\text{w}$
	(θ_{JC}) UA/ SO	148 / 410	$^{\circ}\text{C}/\text{w}$
Package Power Dissipation, (P_D)		606 / 230	mW

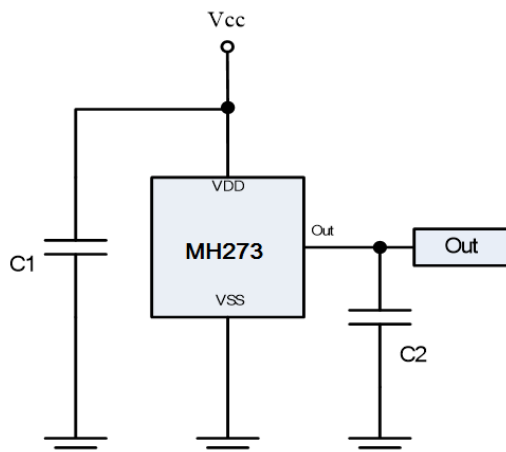
Note: Do not apply reverse voltage to V_{DD} and V_{OUT} Pin, It may be caused for Miss function or damaged device.

Electrical Specifications

DC Operating Parameters : $T_A=+25^{\circ}\text{C}$, $V_{DD}=12\text{V}$

Parameters	Test Conditions	Min	Typ	Max	Units
Supply Voltage, (V_{DD})	Operating	2.5		26.0	V
Supply Current, (I_{DD})	B<BOP		2.5	5.0	mA
Output Saturation Voltage, (V_{DSON})	$I_{out}=20\text{mA}$, B>BOP		300	500.0	mV
Output Leakage Current, (I_{off})	I_{OFF} B<B _{RP} , $V_{OUT} = 20\text{V}$			10.0	μA
Power-On Time, (T_P)				50	μs
Output Switch Time, (T_{SW})				150	μs
Output Switch Frequency, (F_{SW})		3			kHz
Output Rise Time, (T_R)	$R_L=1\text{k}\Omega$, $C_L=20\text{pF}$		0.04	0.45	μs
Output Fall Time, (T_F)	$R_L=1\text{k}\Omega$; $C_L=20\text{pF}$		0.18	0.45	μs
Electro-Static Discharge	HBM	4			KV
Pull-up Resistor, (R_A)			10		$\text{k}\Omega$
Operate Point, $B_{OPS}(B_{OPN})$	B>B _{OPS} (B<B _{OPN}), V_{OUT} On	50(-110)		110(-50)	Gauss
Release Point, $B_{RPS}(B_{RPN})$	B<B _{RPS} (B>B _{RPN}), V_{OUT} Off	30(-90)		90(-30)	Gauss
Hysteresis, (B_{HYS})	BOP - BRP		20		Gauss

Typical application circuit

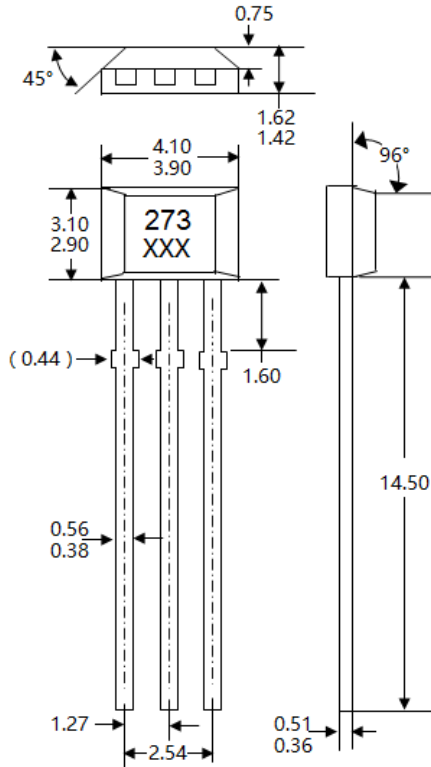


C1 : 10nF
C2 : 1nF

Sensor Location, Package Dimension and Marking

MH273 Package

UA Package

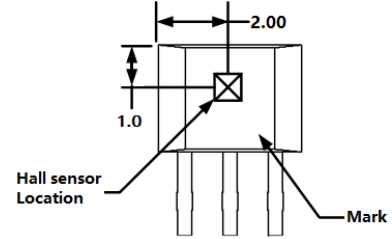


NOTES:

- 1).Controlling dimension: mm
- 2).Leads must be free of flash and plating voids
- 3).Do not bend leads within 1 mm of lead to package interface.
- 4).PINOUT:

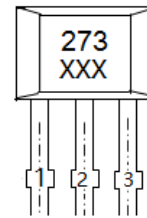
Pin 1	V _{DD}
Pin 2	GND
Pin 3	Output

Hall Chip location



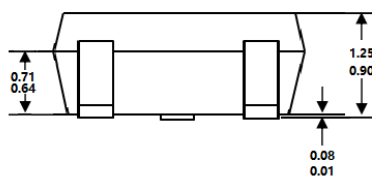
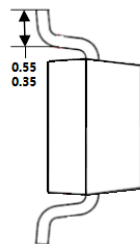
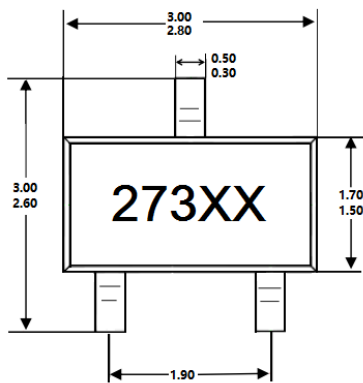
Output Pin Assignment

(Top view)



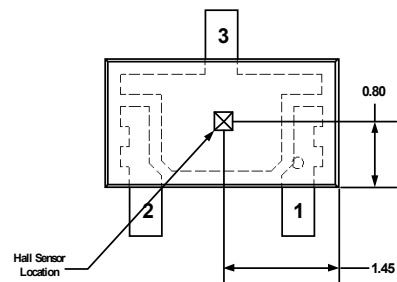
Package (SOT-23)

(Top View)



Hall Plate Chip Location

(Bottom view)



NOTES:

1. PINOUT (See Top View at left :)
 Pin 1 V_{DD}
 Pin 2 Output
 Pin 3 GND
2. Controlling dimension: mm
3. Lead thickness after solder plating will be 0.254mm maximum