

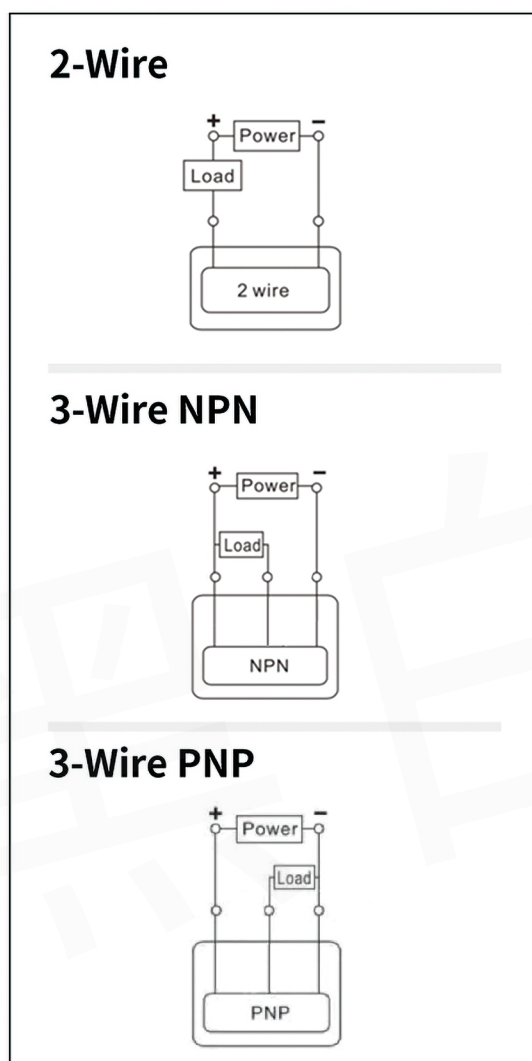
Non Contact Switch PCBA

Model : M-F8B Series

Grommet

- Lower load current
- Lead free solder
- Auto output detection(3-Wire)
- Over current protection
- Over temperature protection

Auto Switch Internal Circuit

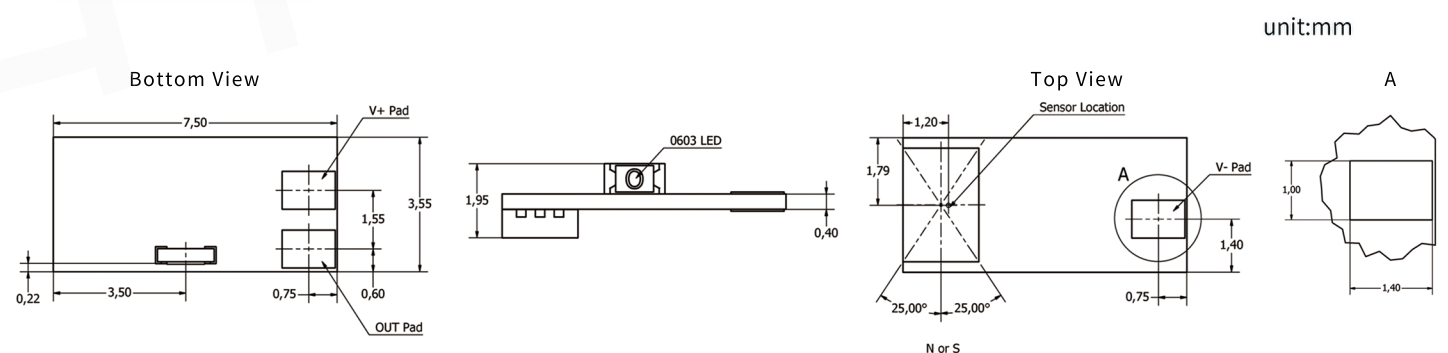


Auto Switch Specifications

PLC : Abbreviation of Programmable Logic Controller

M-F8B (With indicator light , Without wire)		
Wiring type	3-Wire	2-Wire
Output type (Auto)	NPN , PNP	/
Applicable load	Relay , PLC , IC circuit	Relay , PLC
Load voltage	4V ~ 30V	4V ~ 30V
Maximum load current	200mA max	100mA max
Internal voltage drop	0.5V	3V
Indicator light	Red LED	Red LED
Switch frequency	1 KHz	1 KHz
Leakage current	10 uA	10 uA
Over current protect	Yes	Yes
Over temperture protect	Yes	Yes
Operation temperature	-10°C ~ 70°C	-10°C ~ 70°C
Other protection	Reverse Protection	Reverse Protection

Dimensions



Warning ⚠

1. Be sure to connect the load before power is applied.
2. Confirm proper insulation of wiring.
3. Do not wire with power lines or high voltage lines.
4. Do not allow short circuiting of loads.
5. Avoid incorrect wiring as

2-Wire : If connections are reversed on a 2-wire type switch, the switch will not be damaged if protected by a protection circuit, but the switch will always stay in an ON state. However, it is still necessary to avoid reversed connections, since the switch could be damaged by a load short circuit in this condition.

3-Wire : If connections are reversed (power supply line (+) and power supply line (-) on a 3-wire type switch, the switch will be protected by a protection circuit. However, if the power supply line (+) is connected to the blue (black) wire and the power supply line (-) is connected to the black (white) wire, the switch will be damaged.

6. Do not use a load that generates surge voltage.